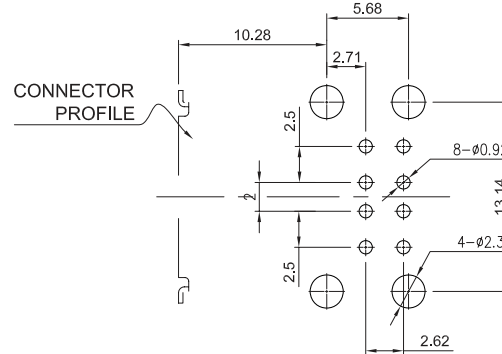
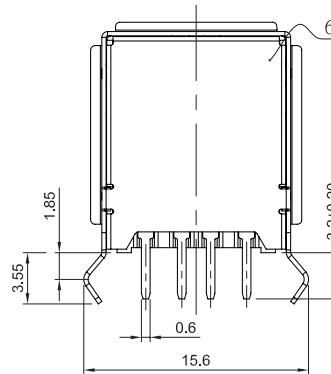
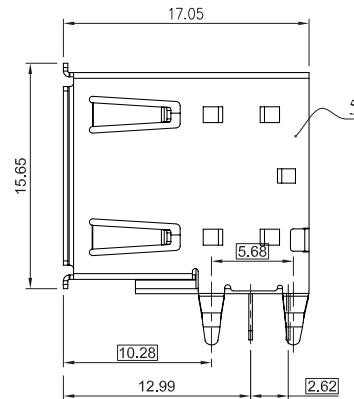
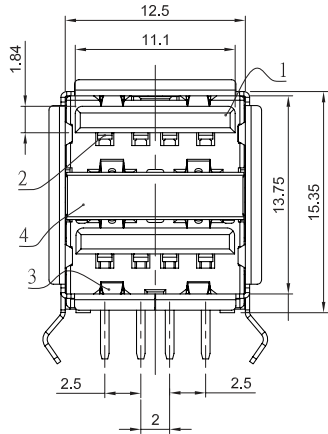


Recommended
P.C. Board Hole Layout

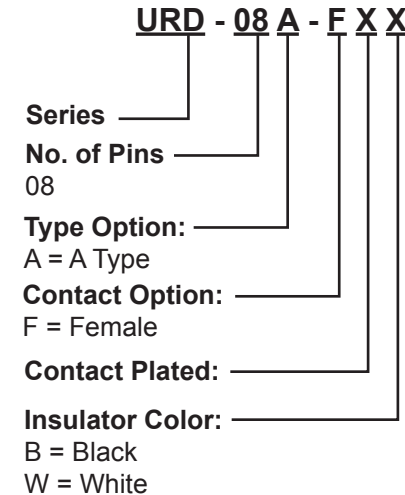


Specifications

- Current Rating: 1A Max.
- Voltage Rating: 30V AC(rms)
- Dielectric Withstanding Voltage: 750V AC for 1 min.
- Contact Resistance: 30m Ohms Max.
- Insulation Resistance: 1000M Ohms Min.
- Mating Force: 3.5Kgf Max.
- Unmating Force: 1.0 Kgf Min.
- Temperature Range: -40°C to +105°C
- Contacts: Brass, t=0.25mm, Gold Flash
- Front-Shell: Brass, t=0.30mm, Nickel Plated
- Back-Shell: SPCC, t=0.30mm, Nickel Plated
- Clip: Stainless Steel, t=0.20mm
- Insulator: P.B.T. UL94V-0 Rated



Part Numbering System



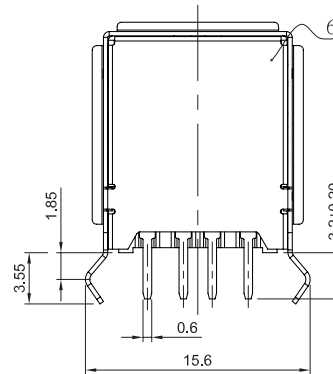
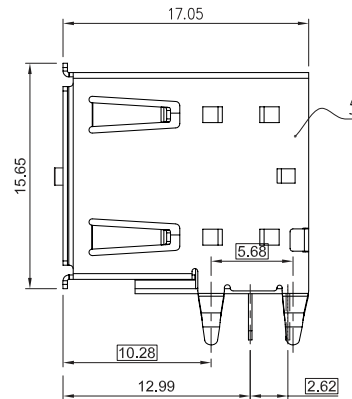
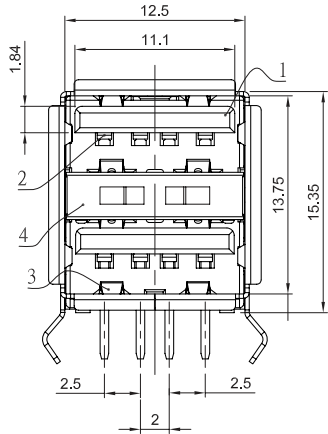
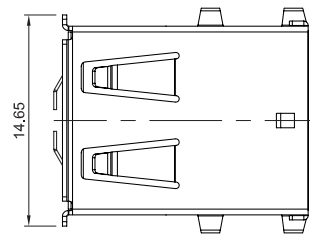
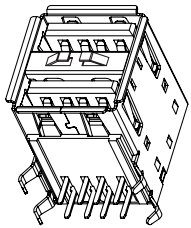
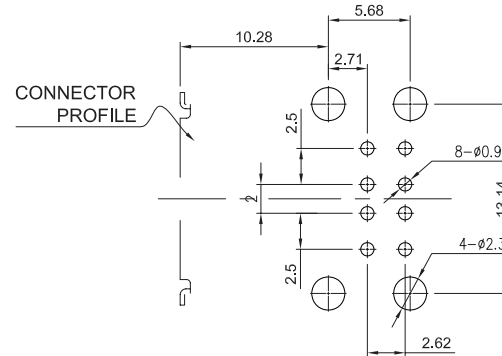
* Contact Plating Option	Gold Plated On Contact Area Tin Plated on Solder Area
	S: Gold Flash S10: Gold 10u" S15: Gold 15u" S30: Gold 30u"

General Tolerance	
X. ± 0.50	X.° ± 5°
.X ± 0.20	.X° ± 2°
.XX ± 0.10	.XX° ± 1°
Units : mm	

Specifications

Current Rating: 1A Max.
Voltage Rating: 30V AC(rms)
Dielectric Withstanding Voltage: 750V AC for 1 min.
Contact Resistance: 30m Ohms Max.
Insulation Resistance: 1000M Ohms Min.
Mating Force: 3.5Kgf Max.
Unmating Force: 1.0 Kgf Min.
Temperature Range: -40°C to +105°C
Contacts: Brass, t=0.25mm, Gold Flash
Front-Shell: Brass, t=0.30mm, Nickel Plated
Back-Shell: SPCC, t=0.30mm, Nickel Plated
Clip: Stainless Steel, t=0.20mm
Insulator: P.B.T. UL94V-0 Rated

Recommended P.C. Board Hole Layout



Part Numbering System

URD - 08 A - F 1 X X

Series ————
No. of Pins ————
08
Type Option: ————
A = A Type
Contact Option: ————
F = Female
Spring Option: ————
1 = with Spring
Contact Plated: ————
Insulator Color: ————
B = Black
W = White

* Contact Plating Option	Gold Plated On Contact Area Tin Plated on Solder Area
	S: Gold Flash S10: Gold 10u" S15: Gold 15u" S30: Gold 30u"

General Tolerance	
X. ± 0.50	X.° ± 5°
.X ± 0.20	.X° ± 2°
.XX ± 0.10	.XX° ± 1°
Units : mm	